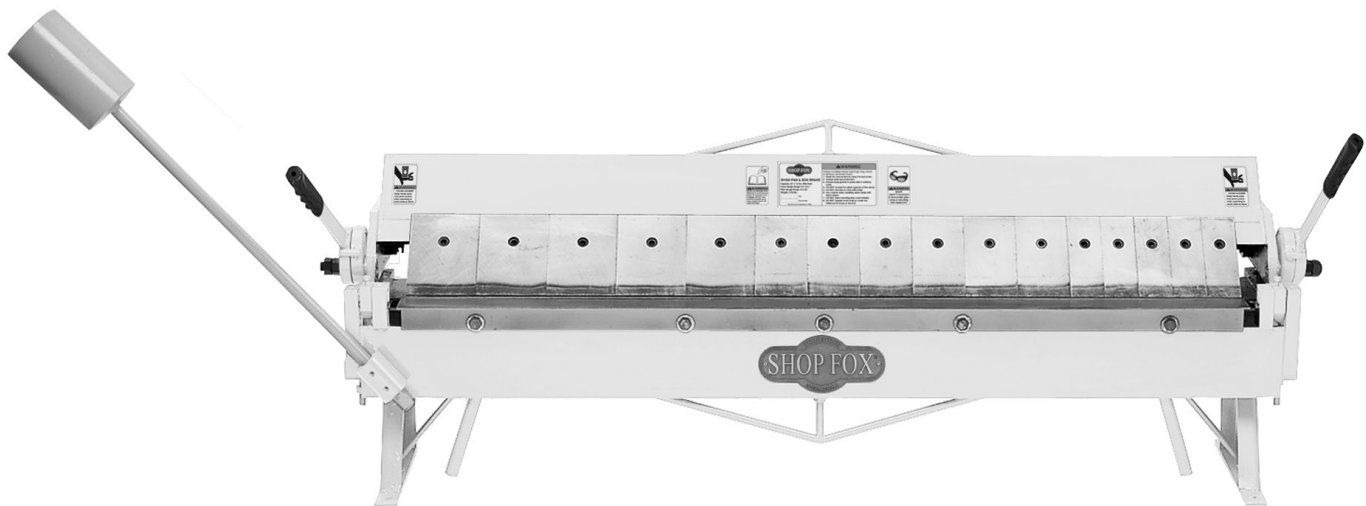


MODEL M1043 48" PAN AND BOX BRAKE



OWNER'S MANUAL

Phone: (360) 734-3482 • Online Technical Support: tech-support@shopfox.biz

COPYRIGHT © MAY, 2006 BY WOODSTOCK INTERNATIONAL, INC.

WARNING: NO PORTION OF THIS MANUAL MAY BE REPRODUCED IN ANY SHAPE OR FORM WITHOUT

THE WRITTEN APPROVAL OF WOODSTOCK INTERNATIONAL, INC.



WARNING!

This manual provides critical safety instructions on the proper setup, operation, maintenance and service of this machine/equipment.

Failure to read, understand and follow the instructions given in this manual may result in serious personal injury, including amputation, electrocution or death.

The owner of this machine/equipment is solely responsible for its safe use. This responsibility includes but is not limited to proper installation in a safe environment, personnel training and usage authorization, proper inspection and maintenance, manual availability and comprehension, application of safety devices, blade/cutter integrity, and the usage of personal protective equipment.

The manufacturer will not be held liable for injury or property damage from negligence, improper training, machine modifications or misuse.



WARNING!

Some dust created by power sanding, sawing, grinding, drilling, and other construction activities contains chemicals known to the State of California to cause cancer, birth defects or other reproductive harm. Some examples of these chemicals are:

- Lead from lead-based paints.
- Crystalline silica from bricks, cement and other masonry products.
- Arsenic and chromium from chemically-treated lumber.

Your risk from these exposures varies, depending on how often you do this type of work. To reduce your exposure to these chemicals: Work in a well ventilated area, and work with approved safety equipment, such as those dust masks that are specially designed to filter out microscopic particles.

Contents

- INTRODUCTION** 2
 - Woodstock Technical Support 2
 - Specifications 2
 - Controls and Features 3
- SAFETY** 4
 - Standard Safety Instructions 4
 - Safety Instructions for Pan and Box Brakes 6
- SET UP** 7
 - Unpacking 7
 - Inventory 7
 - Lifting 8
 - Machine Placement 8
 - Cleaning 9
 - Mounting to Bench 10
 - Mounting Counterweight 10
 - Aligning Fingers 11
- OPERATIONS** 12
 - General 12
 - Adjusting Setback 12
 - Spacing Fingers 13
 - Adjusting Clamping Pressure 14
 - Adjusting Counterweight 15
 - Bending Allowance 15
 - Basic Bending 16
- MAINTENANCE** 17
 - Lubrication 17
- SERVICE** 18
 - Aligning Bending Wing 18
- PARTS** 20
 - Labels 21
- WARRANTY** 22
 - Warranty Registration 23



INTRODUCTION

Woodstock Technical Support

We stand behind our machines! In the event that questions arise about your machine, parts are missing, or a defect is found, please contact Woodstock International Technical Support at (360) 734-3482 or send e-mail to: tech-support@shopfox.biz. Our knowledgeable staff will help you troubleshoot problems and send out parts for warranty claims.

If you need the latest edition of this manual, you can download it from <http://www.shopfox.biz>. If you have comments about this manual, please contact us at:

Woodstock International, Inc.
Attn: Technical Documentation Manager
P.O. Box 2309
Bellingham, WA 98227

Specifications

Height	25"
Finger Sizes (Quantity)	2"(5), 3"(6), 4"(5)
Shipping Weight	335 lbs.
Footprint	52" x 12"
Crate Size	62 ¹ / ₂ " L x 15 ¹ / ₄ " W x 23 ¹ / ₂ " H
Brake Range	0° - 135°
Maximum Width	48"
Maximum Height of Pan/Box Sides	3"
Mild Steel	16 gauge
Aluminum	11 gauge
Soft Brass	14 gauge
Annealed Phosphor Bronze	15 gauge
Soft Copper	14 gauge
Hard Copper	15 gauge
Fingers	Precision Ground Steel, Hardened Edge
Base	Steel
Bending Leaf	Steel
Clamping Leaf	Steel

Controls and Features

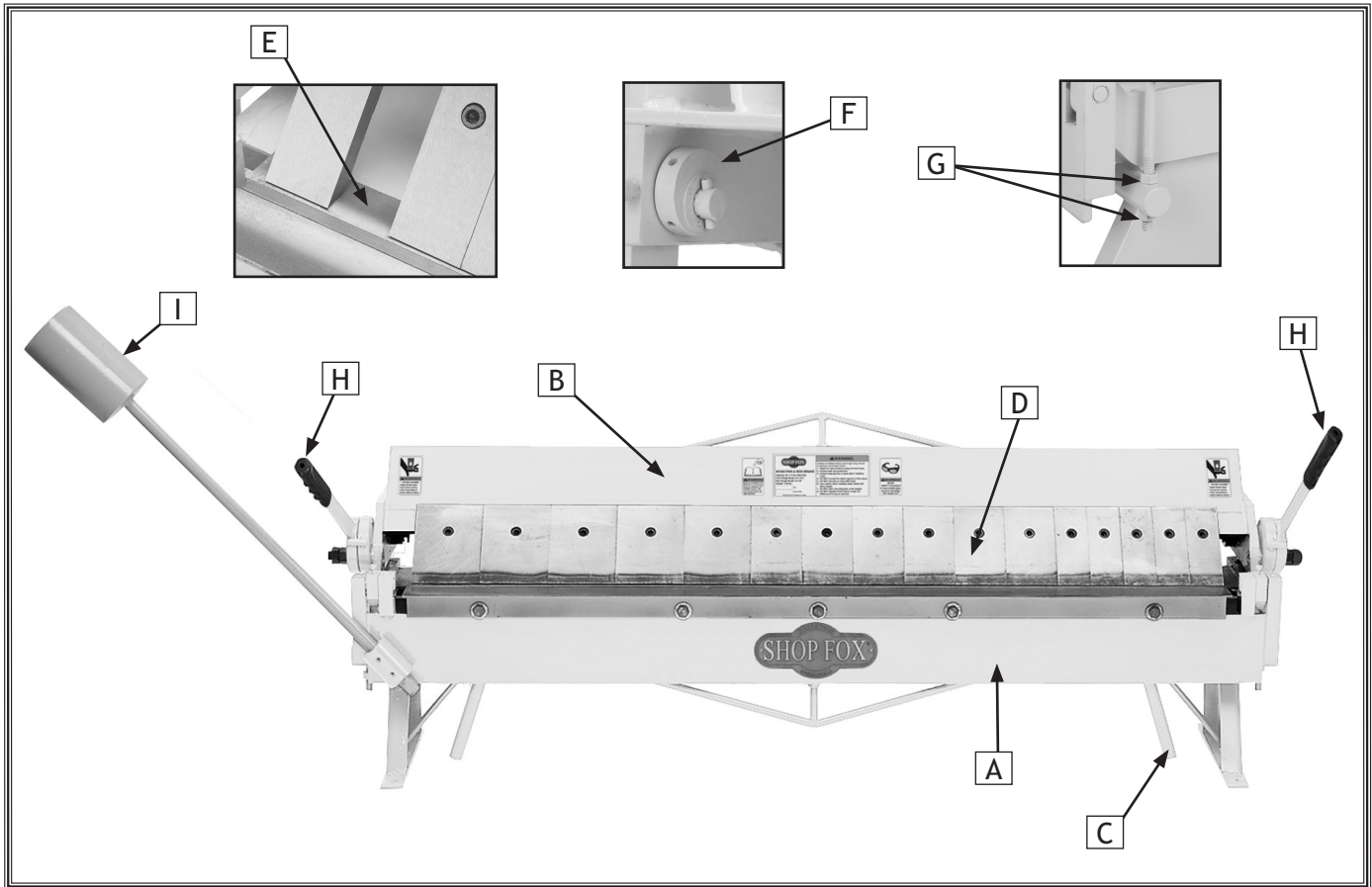


Figure 1. Common Pan and Box Brake components.

- A. **Bending Leaf**—Swivels up to bend the workpiece.
- B. **Clamping Leaf**—Holds the fingers. Squeezes the workpiece against the clamping block.
- C. **Operating Handle**—Used to raise and lower the bending leaf.
- D. **Finger Blocks**—Adjustable dies that the workpiece is bent against.
- E. **Clamping Block**—Fixed block (or lower jaw) that the clamping leaf presses against.
- F. **Setback Wheels**—Adjusts clamping leaf forward and backward.
- G. **Clamping Pressure Adjusting Nuts**—Adjusts pressure on the workpiece, allowing for different gauges.
- H. **Clamping Handles**—Raise and lower fingers onto clamping block.
- I. **Counterweight**—Offsets some of the pressure needed to bend the workpiece.

SAFETY

**READ MANUAL BEFORE OPERATING MACHINE.
FAILURE TO FOLLOW INSTRUCTIONS BELOW WILL
RESULT IN PERSONAL INJURY.**

DANGER

Indicates an imminently hazardous situation which, if not avoided, **WILL** result in death or serious injury.

WARNING

Indicates a potentially hazardous situation which, if not avoided, **COULD** result in death or serious injury.

CAUTION

Indicates a potentially hazardous situation which, if not avoided, **MAY** result in minor or moderate injury.

NOTICE

This symbol is used to alert the user to useful information about proper operation of the equipment, and/or a situation that may cause damage to the machinery.

Standard Safety Instructions

1. **READ THROUGH THE ENTIRE MANUAL BEFORE STARTING MACHINERY.** Machinery presents serious injury hazards to untrained users.
2. **ALWAYS USE ANSI APPROVED SAFETY GLASSES WHEN OPERATING MACHINERY.** Everyday eye-glasses only have impact resistant lenses—they are **NOT** safety glasses.
3. **ALWAYS WEAR AN NIOSH APPROVED RESPIRATOR WHEN OPERATING MACHINERY THAT PRODUCES DUST.** Wood dust is a carcinogen and can cause cancer and severe respiratory illnesses.
4. **ALWAYS USE HEARING PROTECTION WHEN OPERATING MACHINERY.** Machinery noise can cause permanent hearing damage.
5. **WEAR PROPER APPAREL.** **DO NOT** wear loose clothing, gloves, neckties, rings, or jewelry which may get caught in moving parts. Wear protective hair covering to contain long hair and wear non-slip footwear.
6. **NEVER OPERATE MACHINERY WHEN TIRED, OR UNDER THE INFLUENCE OF DRUGS OR ALCOHOL.** Be mentally alert at all times when running machinery.
7. **ONLY ALLOW TRAINED AND PROPERLY SUPERVISED PERSONNEL TO OPERATE MACHINERY.** Make sure operation instructions are safe and clearly understood.
8. **KEEP CHILDREN AND VISITORS AWAY.** Keep all children and visitors a safe distance from the work area.
9. **MAKE WORKSHOP CHILD PROOF.** Use padlocks, master switches, and remove start switch keys.

10. **NEVER LEAVE WHEN MACHINE IS RUNNING.** Turn power off and allow all moving parts to come to a complete stop before leaving machine unattended.
11. **DO NOT USE IN DANGEROUS ENVIRONMENTS.** DO NOT use machinery in damp, wet locations, or where any flammable or noxious fumes may exist.
12. **KEEP WORK AREA CLEAN AND WELL LIT.** Clutter and dark shadows may cause accidents.
13. **USE A GROUNDED EXTENSION CORD RATED FOR THE MACHINE AMPERAGE.** Undersized cords over-heat and lose power. Replace extension cords if they become damaged. DO NOT use extension cords for 220V machinery.
14. **ALWAYS DISCONNECT FROM POWER SOURCE BEFORE SERVICING MACHINERY.** Make sure switch is in OFF position before reconnecting.
15. **MAINTAIN MACHINERY WITH CARE.** Keep blades sharp and clean for best and safest performance. Follow instructions for lubricating and changing accessories.
16. **MAKE SURE GUARDS ARE IN PLACE AND WORK CORRECTLY BEFORE USING MACHINERY.**
17. **REMOVE ADJUSTING KEYS AND WRENCHES.** Make a habit of checking for keys and adjusting wrenches before turning machinery ON.
18. **CHECK FOR DAMAGED PARTS BEFORE USING MACHINERY.** Check for binding and alignment of parts, broken parts, part mounting, loose bolts, and any other conditions that may affect machine operation. Repair or replace damaged parts.
19. **USE RECOMMENDED ACCESSORIES.** Refer to the instruction manual for recommended accessories. The use of improper accessories may cause risk of injury.
20. **DO NOT FORCE MACHINERY.** Work at the speed for which the machine or accessory was designed.
21. **SECURE WORKPIECE.** Use clamps or a vise to hold the workpiece when practical. A secured workpiece protects your hands and frees both hands to operate the machine.
22. **DO NOT OVERREACH.** Keep proper footing and balance at all times.
23. **MANY MACHINES WILL EJECT THE WORKPIECE TOWARD THE OPERATOR.** Know and avoid conditions that cause the workpiece to "kickback."
24. **ALWAYS LOCK MOBILE BASES (IF USED) BEFORE OPERATING MACHINERY.**
25. **BE AWARE THAT CERTAIN DUST MAY BE HAZARDOUS** to the respiratory systems of people and animals, especially fine dust. Make sure you know the hazards associated with the type of dust you will be exposed to and always wear a respirator approved for that type of dust.

Safety Instructions for Pan and Box Brakes

SAFETY

! WARNING
 READ and understand this entire instruction manual before using this machine. Serious personal injury may occur if safety and operational information is not understood and followed. **DO NOT** risk your safety by not reading!

! CAUTION
 USE this and other machinery with caution and respect. Always consider safety first, as it applies to your individual working conditions. No list of safety guidelines can be complete—every shop environment is different. Failure to follow guidelines could result in serious personal injury, damage to equipment or poor work results.

1. **OVERLOADING PAN AND BOX BRAKE.** Overloading this brake can cause injury from flying parts. Review the **Specifications** on **Page 2** to determine the maximum gauge per material type that can be safely used with the Model M1043.
2. **USING TORCHES.** Heating metal with a torch while the metal is in the pan and box brake will weaken the fingers. **DO NOT** use torches when a workpiece is in this tool.
3. **METAL EDGES.** Always chamfer and de-burr sharp sheet metal edges. Sharp edges on sheet metal can cut your fingers to the bone.
4. **SAFETY GEAR.** Always approved safety glasses, leather gloves, and leather boots when using this brake.
5. **EXPERIENCING DIFFICULTIES.** If at any time you are experiencing difficulties performing the intended operation, **STOP** using the tool and contact our Technical Support Department, or ask a qualified expert how the operation should be performed.
6. **TOOLS IN POOR CONDITION.** Inspect the pan and box brake for any cracked linkage, levers, or loose fasteners. Correct any problems before use.
7. **CHEATER PIPES.** Using cheater pipes on the clamping handles can quickly overload this tool, which may lead to serious personal injury. **DO NOT** use cheater pipes!

SET UP

Unpacking

The SHOP FOX® Model M1043 has been carefully packaged for safe transporting. If you notice shipping damage, please contact your dealer or the place of purchase immediately to resolve any issues with their freight company. Woodstock International Technical Support can also be reached at (360) 734-3482 or send e-mail to: tech-support@shopfox.biz.




! WARNING

SUFFOCATION HAZARD!

Immediately discard all plastic bags and packing materials to eliminate a choking and suffocation hazard for children and animals.

! WARNING



READ and understand this entire instruction manual before using this machine. Serious personal injury may occur if safety and operational information is not understood and followed. DO NOT risk your safety by not reading!

SETUP

Inventory

The following is a description of the main components shipped with the SHOP FOX® Model M1043. Lay the components out to inventory them.

CONTENTS (Figure 2)	Qty
A. Pan and Box Brake Main Body	1
B. Counterweight	1
C. Hex Wrenches 6 and 8mm	1 ea
D. Wrench 17 x 19mm.....	1

If any parts are missing, examine the packaging for the missing parts. For any missing parts, find the part number in the back of this manual and contact Woodstock International, Inc. at (360) 734-3482 or at tech-support@shopfox.biz

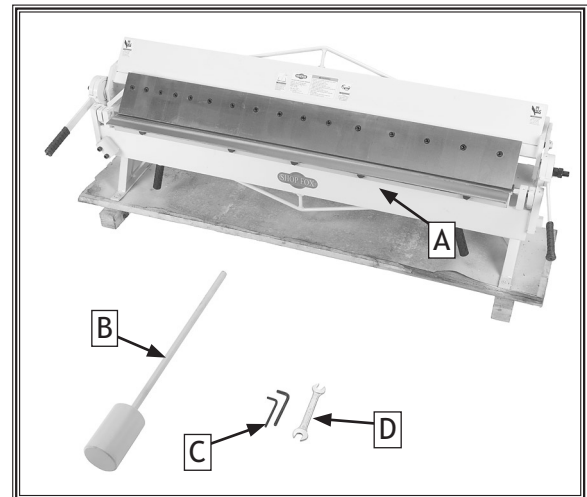


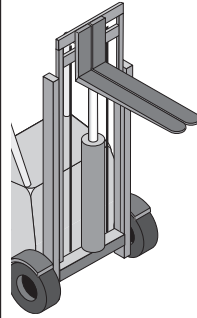
Figure 2. Shipping crate inventory contents.

NOTICE

When ordering replacement parts, refer to the parts list and diagram in the back of the manual.

Lifting

- If you are unsure of how to lift this equipment safely, consult a qualified professional.
- When lifting the pan and box brake, make sure the weight is supported evenly with two or more lifting straps.
- Make sure the body of the brake is bearing the load (Figure 3).
- Make sure the bending leaf stays in the down position by clamping a 2x4 piece of lumber between the clamping leaf and clamping block as in Figure 3.



⚠ WARNING
 The Model M1043 weighs 335 lbs. Serious personal injury may occur if safe moving methods are not followed. To be safe, you will need assistance and power equipment when moving the shipping crate and removing the equipment from the crate.

Machine Placement

Workbench Load

Your Model M1043 weighs nearly 335 lbs and has a footprint of 52" x 12". BEFORE moving the brake onto a workbench, inspect the workbench carefully to determine that it will be sufficient to carry the load of the brake, the workpiece material, and any downward pressure from operation. If you have doubts about the strength of the workbench, reinforce it.

Working Clearances

Consider existing and anticipated needs, size of material to be processed, and space for auxiliary stands, work tables or other machinery when establishing a location for your Model M1043 Pan and Box Brake.

Lighting

Lighting should be bright enough to eliminate shadow and prevent eye strain.

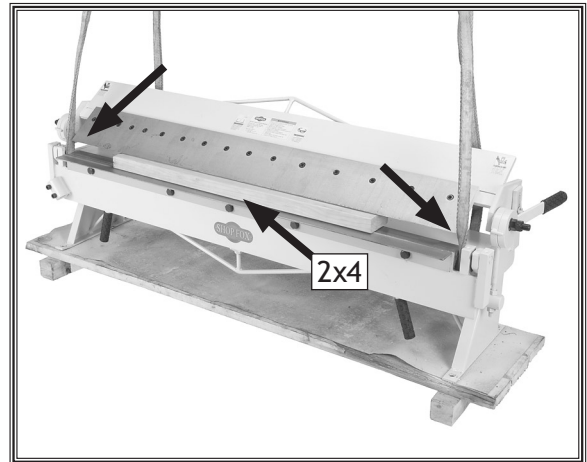


Figure 3. Pan and box brake supported evenly by two lifting straps.



⚠ CAUTION
MAKE your shop "child safe." Ensure that your workplace is inaccessible to youngsters by closing and locking all entrances when you are away. **NEVER** allow untrained visitors in your shop when assembling, adjusting or operating equipment.

SETUP




Cleaning

The unpainted surfaces are coated with a waxy oil to protect them from corrosion during shipment. Remove this protective coating with a solvent cleaner or citrus-based degreaser or with liberal amounts of WD-40®.

DO NOT use chlorine-based solvents such as brake parts cleaner or acetone—if you happen to splash some onto a painted surface, you will ruin the finish.

Remove and thoroughly clean each finger block assembly. Do this by first raising the clamping leaf to make sure there is no pressure on the finger blocks; then, for each finger block, remove the cap screw shown in **Figure 4** and slide the entire finger block assembly off of the clamping leaf (**Figure 5**). This procedure is easiest if you begin with a finger block on the end.

After the finger block assemblies have been cleaned, coat them liberally with a metal protectant and reinstall. Make sure to follow the instructions on **Page 11** to re-align the fingers before operating your brake!

	<h3>⚠ CAUTION</h3>
	<p>ALWAYS work in well-ventilated areas far from possible ignition sources when using solvents to clean machinery. Many solvents are toxic when inhaled or ingested. Use care when disposing of waste rags and towels to be sure they DO NOT create fire or environmental hazards.</p>
	

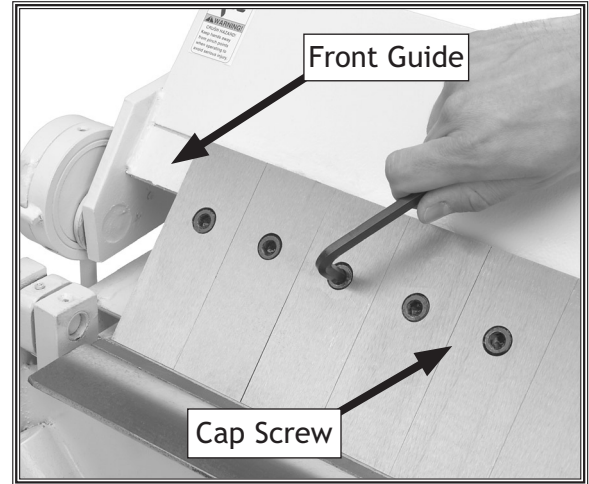


Figure 4. Removing finger blocks.

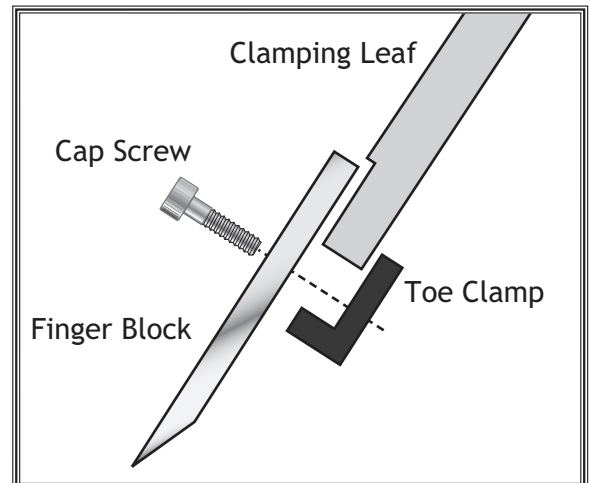


Figure 5. Finger block and clamp layout.

Mounting to Bench

The Model M1043 must be mounted to a bench before it can be safely operated.

To mount the Model M1043 to a bench, do these steps:

1. Place the brake on the workbench.
2. Use the holes in the base as a guide for drilling and attaching the pan and box brake to the workbench (see Figure 6).

We recommend using through bolts (hex bolts that go all the way through the workbench and are secured from the other side with flat washers and hex nuts) if possible.

If it is not possible to use through bolts because of your workbench construction, use lag screws with flat washers and fasten the lag screws directly into the workbench.

Mounting Counterweight

The counterweight provides additional leverage to assist the operator when bending heavy gauge material.

To mount the counterweight, slide the counterweight shaft 3" or 4" into the sleeve on the left-hand side of the brake, and tighten the cap screws as shown in Figure 7.

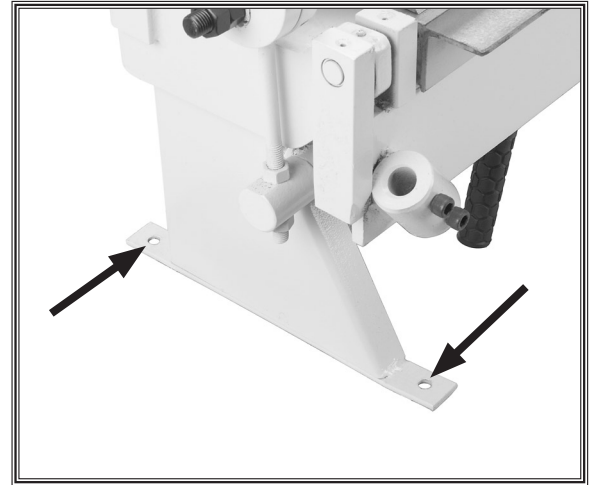


Figure 6. Mounting holes.

	<p>CAUTION Some components for this equipment are heavy and awkward to handle. Assembling them without proper equipment may increase the likelihood of injury.</p>
--	---



Figure 7. Mounting the counterweight.

SETUP

Aligning Fingers

Finger alignment is critical to quality bending results. If the fingers were removed for cleaning, make sure that they are aligned before beginning any operations.

To align the fingers, do these steps:

1. Loosen the clamping leaf to remove any downward pressure on the fingers.
2. Loosen the finger and position it so the front edge is aligned with the finger next to it, then tighten the mounting cap screw.

You can use the bending wing as a straightedge (Figure 8) when aligning the fingers.



Figure 8. Bending wing moved approximately perpendicular to fingers to act as a straightedge.

OPERATIONS

General

The Model M1043 will perform many types of operations that are beyond the scope of this manual. Many of these operations can be dangerous if performed incorrectly.

The instructions in this section are written with the understanding that the operator has the necessary knowledge and skills to operate this equipment. **If at any time you are experiencing difficulties performing any operation, stop using the machine!**

If you are an inexperienced operator, we strongly recommend that you read books, trade articles, or seek training from an experienced operator before performing any unfamiliar operations. **Above all, your safety should come first!**

Adjusting Setback

The setback is the distance from the forward edge of the fingers to the edge of the clamp block (Figure 9). The setback distance is determined by the gauge of the workpiece and the desired radius of the bend. Normally, setback is adjusted at least $1\frac{1}{2}$ –2 times the thickness of the workpiece. (Thicker or tempered workpieces will need a larger setback. See material gauge capacities on Page 2.)

To adjust the setback, do these steps:

1. Make sure all the fingers are aligned with each other and that the fingers are not clamped to the clamp block.

NOTICE

You must include the thickness of folded edges or joints when determining the proper setback, or the brake may be damaged.

! WARNING

Always wear safety glasses when operating the Model M1043 Pan and Box Brake. Failure to comply may result in serious personal injury.

! WARNING

Watch for pinch points on this equipment. This equipment has many moving parts that may cause serious injury to yourself or others around the equipment.

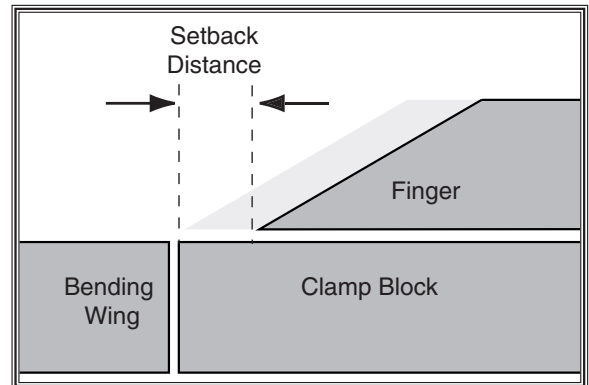


Figure 9. Profile view of finger and clamp block showing setback distance.

OPERATIONS

2. Loosen the cap screws on the setback wheels.
3. Rotate both setback wheels evenly (**Figure 10**) to move the front edge of the fingers toward or away from the edge of the clamp block.

Note: Make sure the finger edges are parallel with the edge of the clamp block or your bend will be distorted.

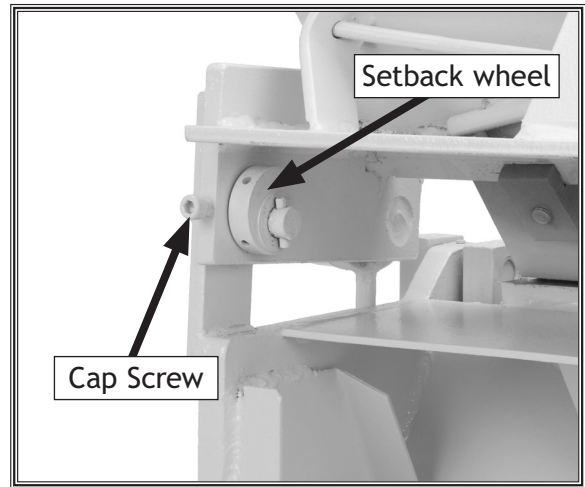


Figure 10. Cap screw and setback wheel.

Spacing Fingers

The fingers can be spaced apart for clearance when making pans or boxes. This requires removing one or more of the fingers so that you can space the others to match the width of your pan or box (**Figure 11**).

To space the fingers apart, do these steps:

1. Remove one of the end fingers by loosening the cap screw, shown in **Figure 12**, and slide it off the front guide.
2. Loosen the top cap screws of the fingers you need to move, and slide them across the front guide so that you have adequate room for your workpiece on both sides.

Note: You may need to mix and match finger widths to equal the size of your workpiece.

3. Align the fingers and tighten the cap screws. (See **Page 11** for alignment instructions.)



Figure 11. Fingers spaced apart to allow clearance of pan or box sides.

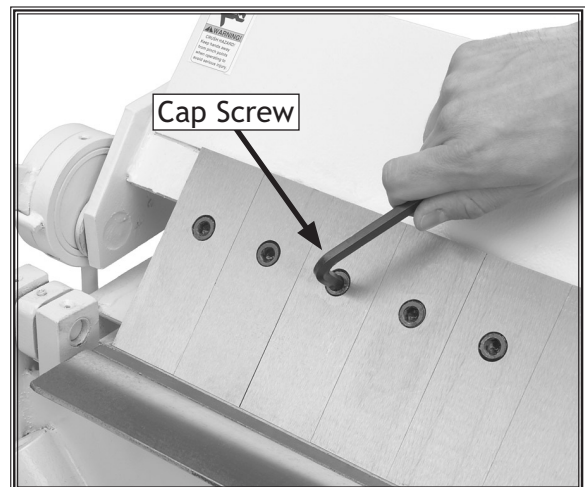


Figure 12. Top cap screw for loosening finger in order to slide it off the front guide.

Adjusting Clamping Pressure

The correct clamping pressure depends on the workpiece thickness. The ideal pressure will have medium/hard resistance while pulling the handle, but will lock into position easily at the end of the stroke—much like a pair of vice grips. This pressure is adjusted by moving the nuts (Figure 13), which are located on both sides of the brake.

To adjust the clamping pressure, do these steps:

1. Tighten both sides of the clamping leaf with a 48" wide workpiece (or two smaller workpieces the same thickness at both ends) in the brake.
 - If the clamping pressure feels correct (snug clamping pressure), no further adjustments are necessary.
 - If the clamping pressure feels too light or the workpiece can move after being clamped, move the adjusting nuts up.
 - If the clamping pressure feels hard or it is difficult to clamp on the workpiece, move the adjusting nuts down.
2. Remove the workpiece from the brake, lock the clamping leaf in place, then loosen the upper nut pressure.
3. Unlock the clamping leaf and turn the lower nut a 1/2 turn in the needed direction.
4. Lock the clamping leaf, tighten the upper nut, and repeat Step 1.

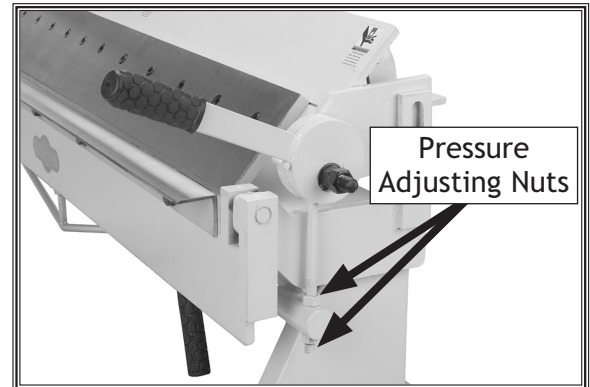


Figure 13. Clamping pressure adjusting nuts and handle stop (right end shown).

Adjusting Counterweight

The counterweight adds leverage to ease the effort needed to bend thicker workpieces.

The gauge of the workpiece determines where on the arm the counterweight is placed. For example, the counterweight would be positioned low on the arm for bending 20 gauge steel and high on the arm for bending 16 gauge steel.

The counterweight (**Figure 15**) slides up and down in the collar and the cap screws hold it in place.

After adjusting, make sure the counterweight is securely held in the lock collar.



Figure 15. Securing counterweight.

Bending Allowance

To bend metal objects accurately, you need to consider the total length of each bend, especially when more than one bend is required. This is called bend allowance.

Subtract bend allowance from the sum of the workpiece outside dimensions to obtain the overall length and width of the blank needed to make a particular part.

Exact allowances can only be obtained by trial-and-error due to differences in sheet metal hardness, whether the bend is with or across the grain, and difficulties in making an exact bend radius. Bend allowances accurate enough for average use may be found in metalworking handbooks.

Basic Bending

Bending operations require the fingers to be parallel with the edge of the clamping block and require the setback and clamping pressure to be correctly adjusted for the thickness of the workpiece.

To perform a basic bending operation, do these steps:

1. Lift the clamping handle to open the clamping leaf all the way.
2. Insert the workpiece between the fingers and the clamping block.
3. Align the fingers of the clamping leaf to the bend mark on the workpiece, and clamp it in place.

Note: Do not force the clamping handle. If the handle is difficult to put in the locked position, the pressure may need to be adjusted for the sheet metal thickness. The holding pressure of the clamping leaf needs to be just tight enough to hold the sheet metal from moving when bending.

4. Lift up on the operating handles until the workpiece has reached the desired angle.
5. Open the clamping leaf and remove the bent workpiece.

Note: If a pan or box bend is desired, choose a finger or a selection of fingers that are as close as possible to the length of pan or box side lengths.

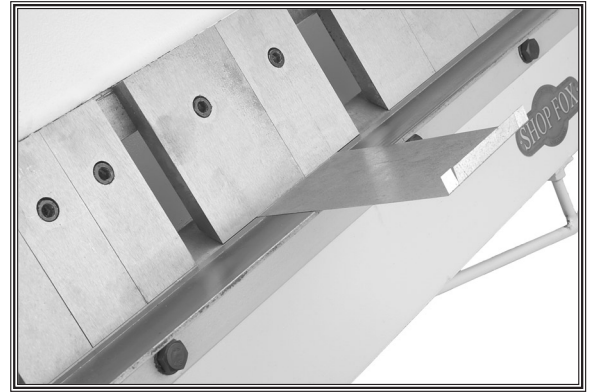


Figure 14. Making the second bend on a tray.

MAINTENANCE

Lubrication

Regular periodic maintenance on your SHOP FOX® Model M1043 will ensure its optimum performance. Make a habit of inspecting your brake each time you use it.

There are three main areas to maintain on the Model M1043:

- **Unpainted Cast Iron Surfaces:** To prevent rust, all unpainted cast iron surfaces on the Model M1043 should be regularly maintained with a high-quality surface protectant like G96® GUN TREATMENT or BOESHIELD® T-9.
- **Hinges:** There are four hinges on the M1043—two for the clamping leaf and two for the bending leaf. These hinges are equipped with oil ports (**Figure 16**). Use an oil can with 30W non-detergent machine oil, and insert 5-6 drops into each port; repeat this as needed or every week, depending on use. Make sure to wipe up any excess oil to avoid build up of dust and grime.
- **Clamping Leaf Guide Pins:** Apply a small dab of lithium grease to the guide pin slots (see **Figure 16**) once a week. If the brake is used continuously, you may need to lubricate this more often.

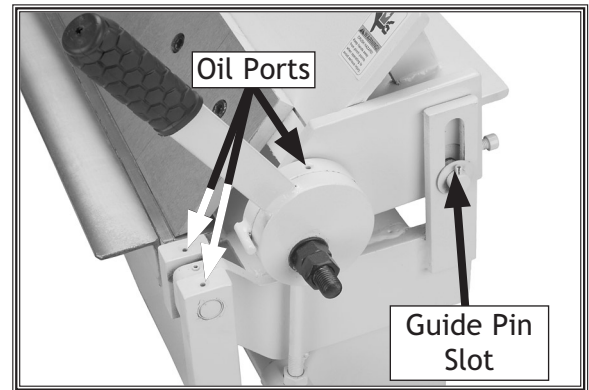


Figure 16. Lubrication points on one end of the pan and box brake.

SERVICE

Aligning Bending Wing

In order to achieve accurate bends, the top surface of the bending leaf and the attached bending wing must be flush with the top surface of the clamp block when the bending leaf is in the down position (see **Figure 17**).

Check for proper alignment by examining how the edges of each component meet each other. Only perform the instructions below if the top surfaces of these components are NOT flush with each other.

There are two adjustments that can be made to align the clamp block and bending wings. First, you can adjust the ends of the bending leaf to make it even with the clamp block; and second, you can straighten the main body of the bending leaf or clamp block by tightening a large nut on the center of a truss assembly, which is mounted to each.

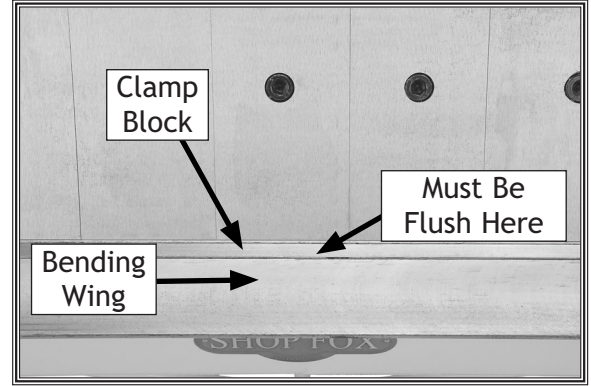


Figure 17. Callouts showing where clamp block and bending wing must be flush.

To align the clamp block and bending wings, do these steps:

1. Loosen the bending wing mounting bolts (**Figure 18**) on each end of the brake.
2. Align the bending leaf flush with the clamp bar.
3. Tighten the bending wing mounting bolts.
 - If the entire length of the bending leaf is flush with the clamp block, then no further adjustments are necessary.
 - If the bending leaf is flush with the clamp block at both ends but is not flush in the center, then proceed to **Step 4**.
4. Examine the center area where the clamp block and bending wing meet.
 - If the bending wing is lower than the clamp block, then the truss nut under the bending wing needs to be tightened (**Figure 19**).
 - If the bending wing is higher than the clamp block, then the truss nut under the clamp block needs to be tightened (**Figure 19**).
5. Tighten the appropriate truss nut as determined from **Step 4** until the bending wing and the clamp block are flush with each other in the center.

Note: Make sure the truss nuts remain tight, because they help stiffen the leaf.

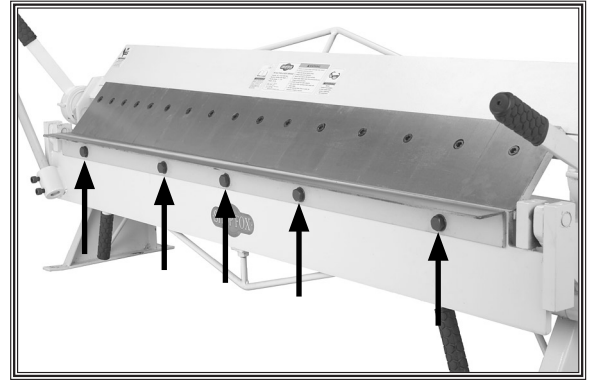
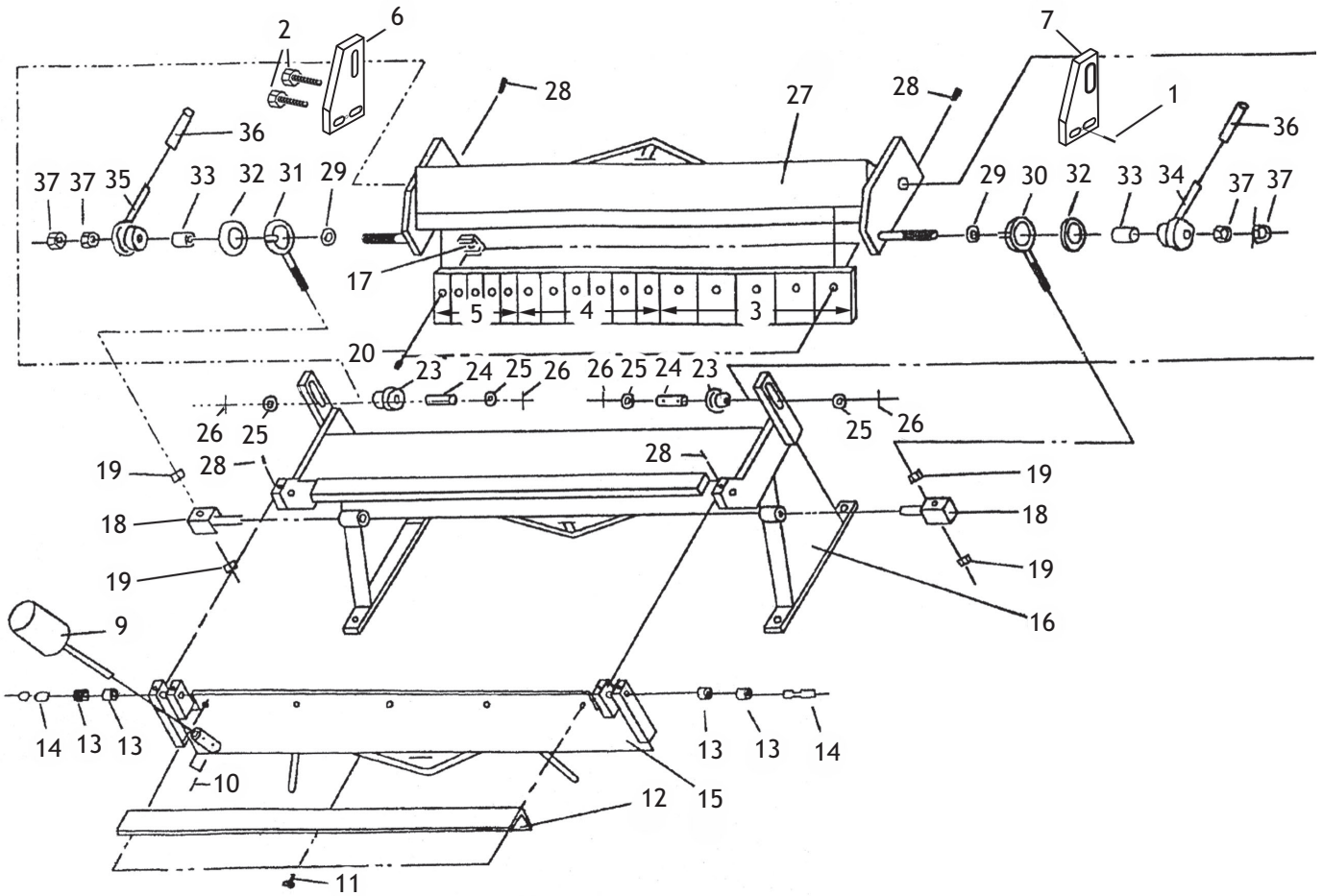


Figure 18. Bending wing mounting bolts.



Figure 19. Truss nuts.

PARTS



REF	PART #	DESCRIPTION
1	XPRP05M	ROLL PIN 5 X 30
2	XPB68M	HEX BOLT M12-1.75 X 30
3	XM1043003	FORMING FINGER 4"
4	XM1043004	FORMING FINGER 3"
5	XM1043005	FORMING FINGER 2"
6	XM1043006	LEFT END PLATE
7	XM1043007	RIGHT END PLATE
9	XM1043009	COUNTERWEIGHT
10	XPSB64M	CAP SCREW M10-1.5 X 25
11	XM1043011	SCREW M12 X 15
12	XM1043012	ANGLE BAR
13	XM1043013	BUSHING
14	XM1043014	SHAFT
15	XM1043015	BENDING LEAF
16	XM1043016	STAND
17	XM1043017	CLAMP
18	XM1043018	KNOB BLOCK
19	XPN09M	HEX NUT M12-1.75

REF	PART #	DESCRIPTION
20	XPSB44M	CAP SCREW M10-1.25 X 28
21	XM1043021	FORMING FINGER SET
22	XM1043022	BENDING BLADE SET
23	XM1043023	ECCENTRIC
24	XM1043024	SHAFT
25	XPW08M	FLAT WASHER 16MM
26	XPRP49M	ROLL PIN 5 X 25
27	XM1043027	BREAK SUPPORT
28	XPSB14M	CAP SCREW M8-1.25 X 20
29	XPW08M	FLAT WASHER 16MM
30	XM1043030	RIGHT SWIVEL
31	XM1043031	LEFT SWIVEL
32	XM1043032	SHAFT SLEEVE
33	XM1043033	BUSHING
34	XM1043034	RIGHT HANDLE
35	XM1043035	LEFT HANDLE
36	XM1043036	HANDLE COVER
37	XPN05M	HEX NUT M16-1.5

Labels

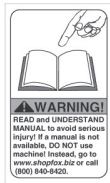
! WARNING

Safety labels warn about machine hazards and how to prevent machine damage or injury. The owner of this machine **MUST** maintain the original location and readability of all labels on this machine. If any label is removed or becomes unreadable, **REPLACE** that label before allowing the machine to enter service again. Contact Woodstock International, Inc. at (360) 734-3482 or www.shopfoxtools.com to order new labels.

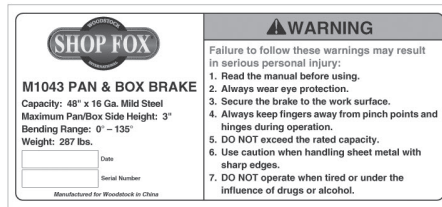
38



39



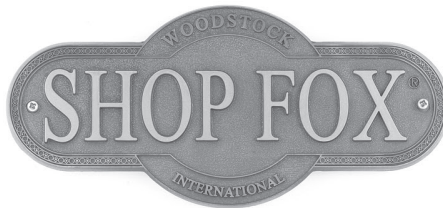
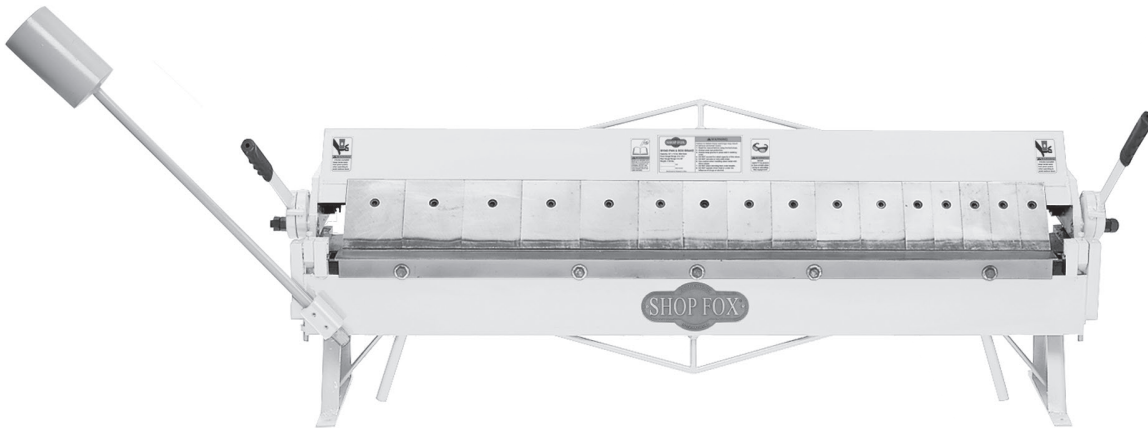
40



41



38



43

42

REF	PART #	DESCRIPTION
38	XM1043038	HAND CRUSH LABEL
39	XM1043039	READ MANUAL LABEL
40	XM1043040	MACHINE ID LABEL

REF	PART #	DESCRIPTION
41	XM1043041	SAFETY GLASSES LABEL
42	XM1043042	SHOP FOX NAMEPLATE
43	XM1043043	SF WHITE TOUCH UP PAINT

PARTS



WARRANTY

Woodstock International, Inc. warrants all **SHOP FOX**[®] machinery to be free of defects from workmanship and materials for a period of two years from the date of original purchase by the original owner. This warranty does not apply to defects due directly or indirectly to misuse, abuse, negligence or accidents, lack of maintenance, or reimbursement of third party expenses incurred.

Woodstock International, Inc. will repair or replace, at its expense and at its option, the **SHOP FOX**[®] machine or machine part which in normal use has proven to be defective, provided that the original owner returns the product prepaid to the **SHOP FOX**[®] factory service center or authorized repair facility designated by our Bellingham, WA office, with proof of their purchase of the product within two years, and provides Woodstock International, Inc. reasonable opportunity to verify the alleged defect through inspection. If it is determined there is no defect, or that the defect resulted from causes not within the scope of Woodstock International Inc.'s warranty, then the original owner must bear the cost of storing and returning the product.

This is Woodstock International, Inc.'s sole written warranty and any and all warranties that may be implied by law, including any merchantability or fitness, for any particular purpose, are hereby limited to the duration of this written warranty. We do not warrant that **SHOP FOX**[®] machinery complies with the provisions of any law or acts. In no event shall Woodstock International, Inc.'s liability under this warranty exceed the purchase price paid for the product, and any legal actions brought against Woodstock International, Inc. shall be tried in the State of Washington, County of Whatcom. We shall in no event be liable for death, injuries to persons or property or for incidental, contingent, special or consequential damages arising from the use of our products.

Every effort has been made to ensure that all **SHOP FOX**[®] machinery meets high quality and durability standards. We reserve the right to change specifications at any time because of our commitment to continuously improve the quality of our products.



Warranty Registration

Name _____
 Street _____
 City _____ State _____ Zip _____
 Phone # _____ Email _____ Invoice # _____
 Model # _____ Serial # _____ Dealer Name _____ Purchase Date _____

The following information is given on a voluntary basis. It will be used for marketing purposes to help us develop better products and services. Of course, all information is strictly confidential.

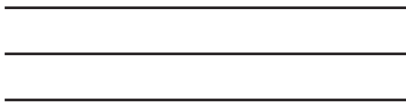
- How did you learn about us?
 Advertisement Friend Local Store
 Mail Order Catalog Website Other:
- How long have you been a woodworker/metalworker?
 0-2 Years 2-8 Years 8-20 Years 20+ Years
- How many of your machines or tools are Shop Fox®?
 0-2 3-5 6-9 10+
- Do you think your machine represents a good value? Yes No
- Would you recommend Shop Fox® products to a friend? Yes No
- What is your age group?
 20-29 30-39 40-49
 50-59 60-69 70+
- What is your annual household income?
 \$20,000-\$29,000 \$30,000-\$39,000 \$40,000-\$49,000
 \$50,000-\$59,000 \$60,000-\$69,000 \$70,000+
- Which of the following magazines do you subscribe to?

<input type="checkbox"/> Cabinet Maker	<input type="checkbox"/> Popular Mechanics	<input type="checkbox"/> Today's Homeowner
<input type="checkbox"/> Family Handyman	<input type="checkbox"/> Popular Science	<input type="checkbox"/> Wood
<input type="checkbox"/> Hand Loader	<input type="checkbox"/> Popular Woodworking	<input type="checkbox"/> Wooden Boat
<input type="checkbox"/> Handy	<input type="checkbox"/> Practical Homeowner	<input type="checkbox"/> Woodshop News
<input type="checkbox"/> Home Shop Machinist	<input type="checkbox"/> Precision Shooter	<input type="checkbox"/> Woodsmith
<input type="checkbox"/> Journal of Light Cont.	<input type="checkbox"/> Projects in Metal	<input type="checkbox"/> Woodwork
<input type="checkbox"/> Live Steam	<input type="checkbox"/> RC Modeler	<input type="checkbox"/> Woodworker West
<input type="checkbox"/> Model Airplane News	<input type="checkbox"/> Rifle	<input type="checkbox"/> Woodworker's Journal
<input type="checkbox"/> Modeltec	<input type="checkbox"/> Shop Notes	<input type="checkbox"/> Other:
<input type="checkbox"/> Old House Journal	<input type="checkbox"/> Shotgun News	

9. Comments: _____

CUT ALONG DOTTED LINE

FOLD ALONG DOTTED LINE



Place
Stamp
Here



WOODSTOCK INTERNATIONAL INC.
P.O. BOX 2309
BELLINGHAM, WA 98227-2309



FOLD ALONG DOTTED LINE

TAPE ALONG EDGES--PLEASE DO NOT STAPLE

